



YLI ELECTRONIC



Wall Mount Door Holder

Model:YD-604

Basic Instruction

24VDC(12/24VDC need order)

Emergency Release Button/Test Button

Wall Mounting Direction

Low Current Consumption

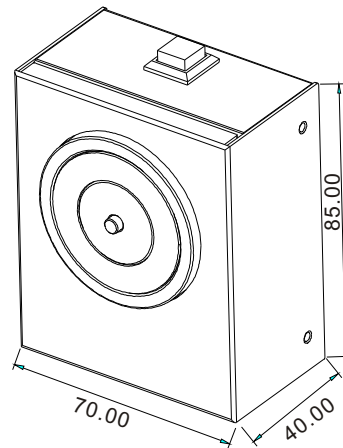
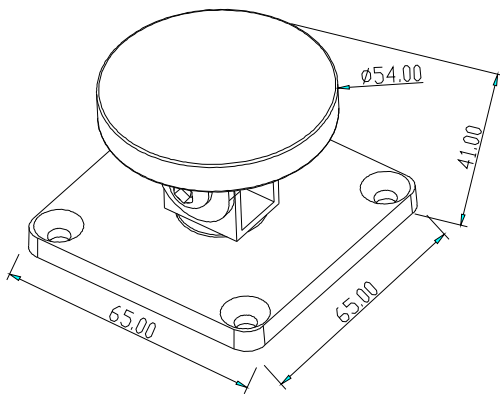
Reliable Fail-Safe Mechanism

Durable and Silence Operation

Specifications

- Size: 70Lx40Wx85H(mm)
- Voltage: 24VDC
- Current Draw: 70mA
- Optional: Manual door release button
- Surface Temp: $\leq +20^{\circ}\text{C}$
- Operating Temp: $0\sim +55^{\circ}\text{C}$ (14-131F)
- Weight: 0.9kg
- Holding Force: 50kg(110Lbs)
- Suitable for: All Kinds of Single(Double) Smokeproof Doors
- Suitable Humidity: 0~95%
- Finishes for Shell: High Temperature Paint
Environmental Protection Zinc
- Finishes for Armature: Chromium

Dimension



Installation

Remarks:

1. The default setting is 24VDC.
2. Red wire is +, black wire is -.
3. Release the red button by hand in emergency.

